

Wall Mount Bracket

LTB301

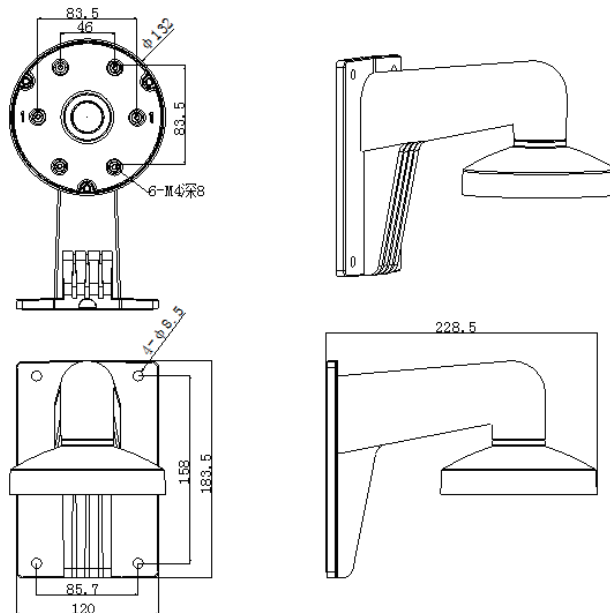
Suitable for CMIP30XX/CMIP11XX wall mounting



Properties

Parameter	Wall Mounting Bracket for CMIP30XX/CMIP11XX (with adaptor plate)
Construction	Aluminum alloy
Dimension	Φ132×183.5×228.5mm(Φ5.2"×7.2"×9.0")
Weight	870g(1.9lbs)

Dimensions:



©2015 LT Security, Inc. All Rights Reserved. White papers, data sheets, quick start guides, and/or user manuals are for reference only and may or may not be entirely up to date or accurate based upon the version or models. Product names mentioned herein may be the unregistered and/or registered trademarks of their respective owners.