

HA-KIT-IP1

Video Intercom Network Bundle



- Indoor station: 7-inch touch screen, user friendly interface, Plug & Play
- Indoor station: Easy, cost-efficient installation, Wi-Fi & POE Supported
- Indoor station: Receives video call and unlocks on mobile App anywhere, any time
- Indoor station: Supports live view of up to 16 IP cameras
- Door station: High quality imaging with 2MP resolution
- Door station: Easy, cost-efficient installation, Wi-Fi & POE Supported
- Door station: Easy configuration through WEB interface
- Door station: IP65 water resistant, preventing water ingress for outdoor use

▪ Specification

Indoor Station Model: HA-IN-IP71

System parameters	
Operation system	Embedded Linux operation system
Memory	128 MB
Flash	32 MB
Display parameters	
Display screen	7-inch TFT LCD
Display resolution	1024 × 600
Operation method	Capacitive touch
Type	Colorful TFT screen
Audio parameters	
Audio input	Built-in omnidirectional microphone
Audio output	Built-in loudspeaker
Audio compression standard	G.711U
Audio compression Rate	64 Kbps
Audio quality	Noise suppression and echo cancellation
Volume adjustment	Adjustable
Capacity	
Event capacity	200
Notice capacity	16
Linked indoor extensions capacity	2
Linked doorphone capacity	8
Network parameters	
Wired network	10/100 Mbps self-adaptive
Wireless network	Wi-Fi 802.11b/g/n
Protocol	TCP/IP, SIP, RTSP
Device Interface	
Alarm Input	8-ch alarm inputs
Network interface	1 RJ-45 10/100 Mbps self-adaptive
RS-485	1
TF Card	Max to 128 G, SD 2.0 or lower version
Alarm output	2
Power interface	1
General	
Installation	Surface mounting
Power consumption	≤ 6 W
Working temperature	-10 °C to 55 °C (14 °F to 131 °F)
Working humidity	10% to 90%
Dimensions (W × H × D)	200 mm × 140 mm × 15.1 mm (7.9" × 5.5" × 0.6")

Door Station Model: HA-DS-IP1

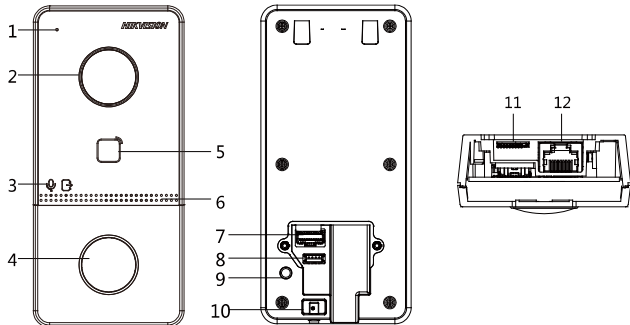
System parameters	
Operation system	Embedded Linux operation system
Operation method	Single-button
Flash	32 M
RAM	256 M
Video Parameters	
Camera	2MP HD camera
Night vision	Low illumination IR supplement mode:3 m
BLC	Support
DNR	Support
WDR	True WDR
Field of view	Horizontal: 131° Vertical: 78°

Video compression standard	H.264
Resolution	Mainstream: 1920 × 1080p, 720p Sub stream: 704 × 576
Motion detection	Support
Anti-flicker frequency	50 Hz, 60 Hz
Audio parameters	
Audio intercom	Two-way audio communication
Audio input	Built-in omnidirectional microphone
Audio output	Built-in loudspeaker
Audio compression standard	G.711 U
Audio compression Rate	64 Kbps
Audio quality	Noise suppression and echo cancellation
Network parameters	
Wired network	10/100 Mbps Ethernet
Wi-Fi standard	2.4G
Network protocol	TCP/IP, RSTP
Access control parameters	
Reading frequency	13.56 MHz
Card type	Mifare card
Relay	1
Interfaces	
Alarm input	4
Network Interface	1 RJ-45 10/100 Mbps self-adaptive
TAMPER switch	1
Exit button	1
RS-485	1
TF Card	Reserved
Lock control	1
Door contact input	1
Power interface	1
General	
Protection level	IP65
Physical button	1
Indicator	2
Power supply	IEEE802.3af, standard PoE 12 VDC
Power consumption	< 10 W
Working temperature	-40° C to +53° C(-40° F to 127.4° F)
Working humidity	10% to 95%
Installation	Surface mounting
Dimension	138 mm × 65 mm × 27 mm

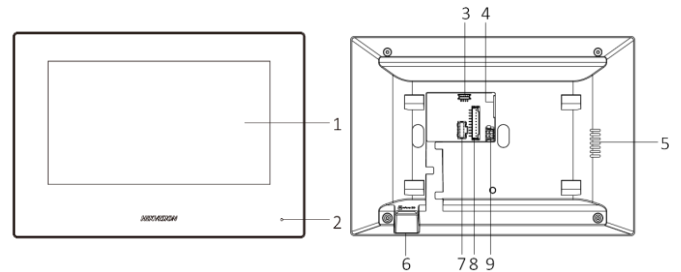
▪ Available Model

HA-IN-IP71

Appearance and Interfaces

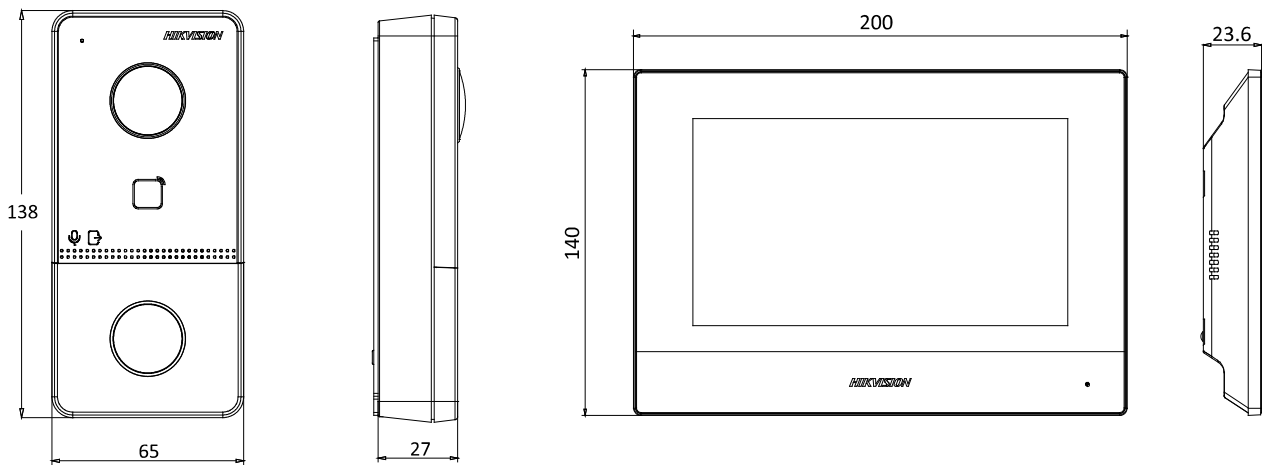


No.	Description	No.	Description
1	Microphone	7	Terminals
2	Camera	8	Debugging Port
3	Indicator	9	TAMPER
4	Button	10	Set Screw
5	Card Reading Area	11	TF Card Slot(Reserved)
6	Loudspeaker	12	Network Interface



No.	Description	No.	Description
1	Screen	6	TF Card Slot
2	Microphone	7	Alarm Terminal
3	Debug Port	8	Reserved
4	Network Interface	9	Power Supply
5	Loudspeaker		

Dimension



Unit : mm